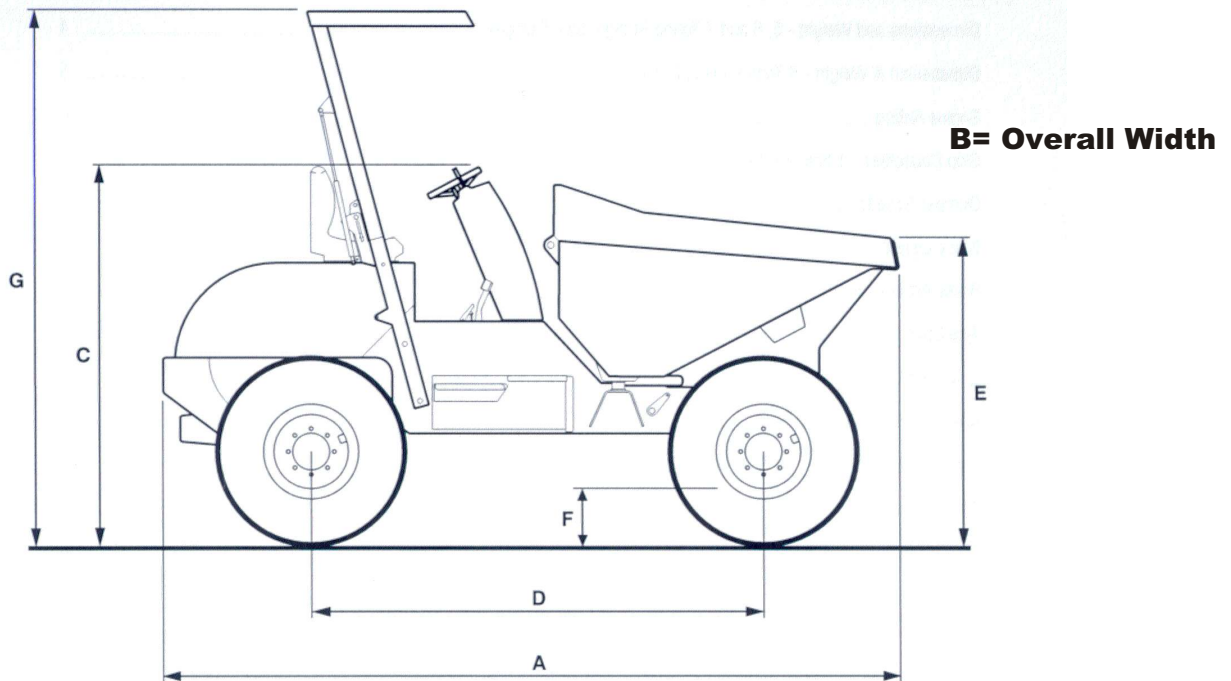




- **Tight turning circle 7.7m**
- **Rigid chassis (no crush zone / greater stability)**
- **Excellent visibility**
- **Perkins 61.5kW engine**
- **Excellent service access**
- **Less lateral forces on operator**
- **Electronic dash panel including fuel gauge**
- **Big centre ground clearance 520mm**

MODELS
PT6-AWS
PS6-AWS
PT7-AWS



Dimensions (mm)			
	PT6-AWS	PS6-AWS	PT7-AWS
A	4375	4840	4375
B	2302	2250	2496
C	2215	2215	2215
D	2702	2702	2702
E	1705	1850	1705
F	365	365	365
G	3155	3155	3155
Weight Kgs	4000	4340	4045

Engine				
	Engine	k.W.	h.p.	@RPM
PT6-AWS	Perkins 1004C-44	61.5	82.0	2200
PS6-AWS	Perkins 1004C-44	61.5	82.0	2200
PT7-AWS	Perkins 1004C-44	61.5	82.0	2200

Skip Capacities				
	Payload Kg	Water Ltr	Struck Ltr	Heaped Ltr
PT6-AWS	6000	1910	2800	3650
PS6-AWS	6000	2030	2680	3220
PT7-AWS	7000	2070	3050	4000

Transmission			
	PT6-AWS	PS6-AWS	PT7-AWS
Tyre Size	405/70-20-14PR	405/70-20-14PR	405/70-20-14PR
Drive	4/4 powershuttle	4/4 powershuttle	4/4 powershuttle
Max KPH	28.0	28.0	28.0