

# **MAEDA**

---

## **CC 505**

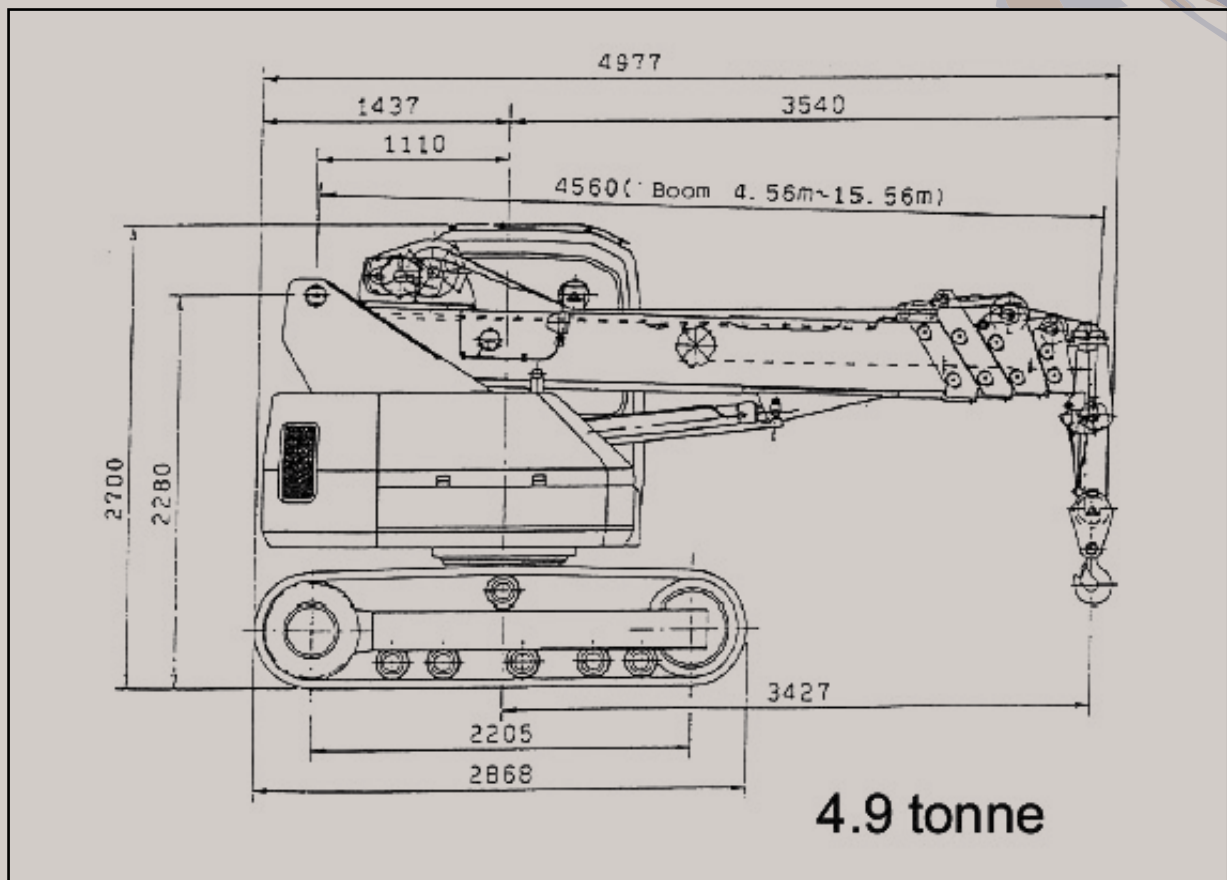
**Technical Data**

**[www.ito-germany.de](http://www.ito-germany.de)**

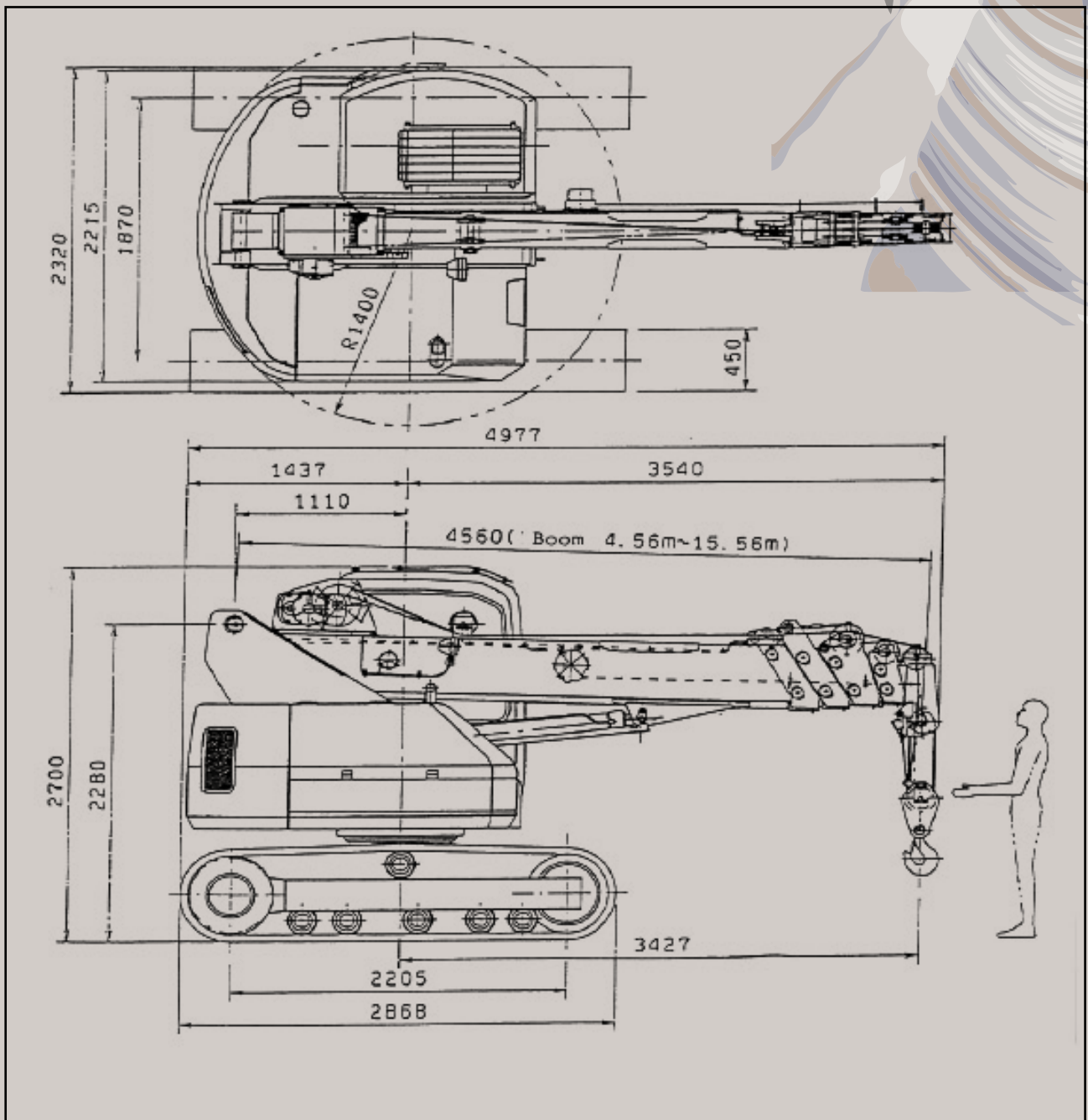
© **International Trading Office GmbH**

# MAEDA

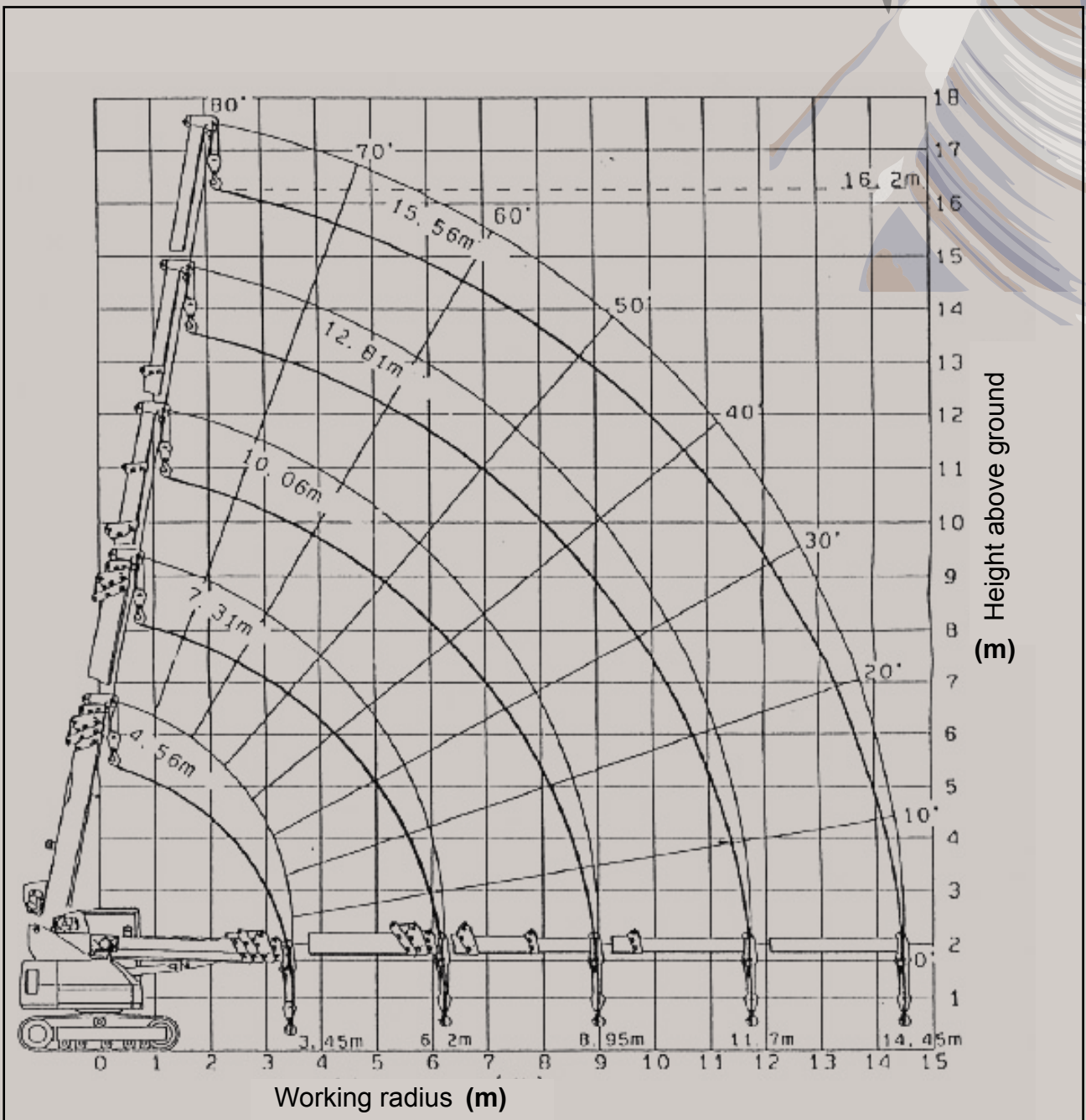
## CC 505



**Maeda CC 505 4.9T Crawler Crane**  
**Rates Lifting Capacities for main Boom**



**Maeda CC 505 4.9T Crawler Crane**  
**Rates Lifting Capacities for main Boom**



WORKING RADIUS (M)	4.56m BOOM		7.31m BOOM		10.06m BOOM		12.81m BOOM		15.56m BOOM	
	STANDING	TRAVELLING	STANDING	TRAVELLING	STANDING	TRAVELLING	STANDING	TRAVELLING	STANDING	TRAVELLING
2.0	4900	2000	4900	2000	2600	1400	1900	^	-	^
2.1	4900	2000	4610	2000	2480	1360	1900		-	
2.5	3720	2000	3670	2000	2100	1140	1900		1300	
2.7	3310	1800	3310	1810	1950	1050	1900		1300	
3.0	2840	1550	2870	1560	1750	940	1710		1300	
3.15	2640	1440	2680	1450	1660	900	1620		1300	
3.45	2320	1260	2360	1270	1510	810	1470		1220	
3.5	-	-	2310	1240	1490	800	1450		1200	
4.0	-	-	1900	1010	1280	690	1240		1080	
4.5	-	-	1590	830	1120	610	1080		980	
5.0	-	-	1340	690	980	540	950		880	
5.5	-	-	1140	580	870	490	830		790	
6.0	-	-	970	480	770	440	740		710	
6.2	-	-	970	450	740	430	710	NOT USED	NOT USED	NOT USED
6.5	-	-	-	-	690	400	660			
7.0	-	-	-	-	620	370	590			
7.5	-	-	-	-	560	340	530			
8.0	-	-	-	-	500	-	470		460	
8.5	-	-	-	-	450	-	420		1400	
8.95	-	-	-	-	420	-	380		360	
9.0	-	-	-	-	-	-	340	-	360	-
9.5	-	-	-	-	-	-	310	-	310	-
10.0	-	-	-	-	-	-	270		270	
10.5	-	-	-	-	-	-	260		230	
11.0	-	-	-	-	-	-	260		190	
11.5	-	-	-	-	-	-	260		160	
11.7	-	-	-	-	-	-	-		150	
12.0	-	-	-	-	-	-	-		150	
12.5	-	-	-	-	-	-	-		150	
13.0	-	-	-	-	-	-	-		150	
13.5	-	-	-	-	-	-	-		150	
14.0	-	-	-	-	-	-	-		150	
14.45	-	-	-	-	-	-	-	v	150	v



# **MAEDA**

## **CC 505**

