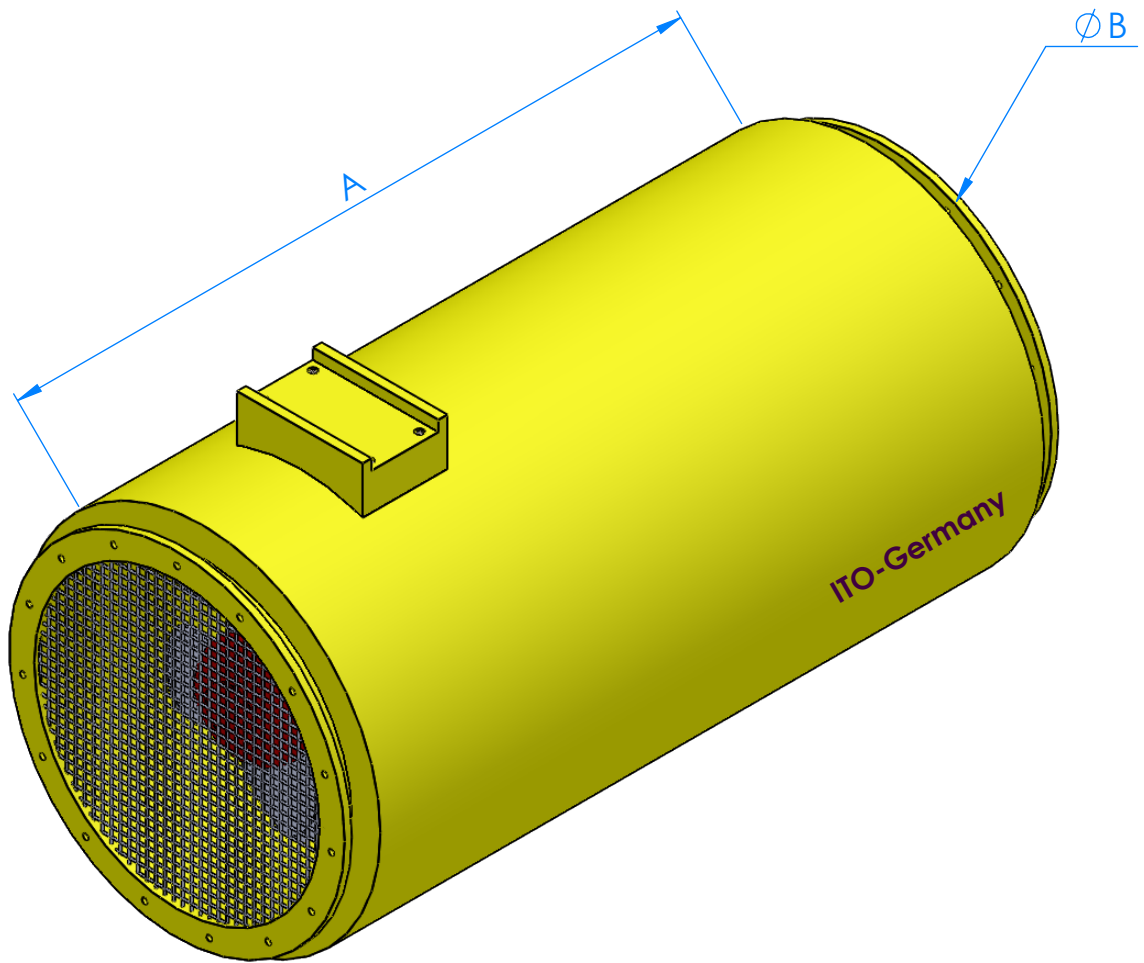


ITO-Germany - Fan Duct



C = Volts


D = KiloWatts

E = Amperes

F = Poles

G = rpm

Kaufen Sie ihre gebrauchte Tunnelbaumaschinen beim Profi

COMMENTS	NAME	DATE	COMPANY	
	DRAWN	27.10.2016	International Trading Office GmbH	
	CHECKED			
	MATERIAL	DWG. REF.	Fan duct	
	WEIGHT:	SCALE:1:15	REPLACE DWG REF.	-
			A4	SHEET 1 OF 1